

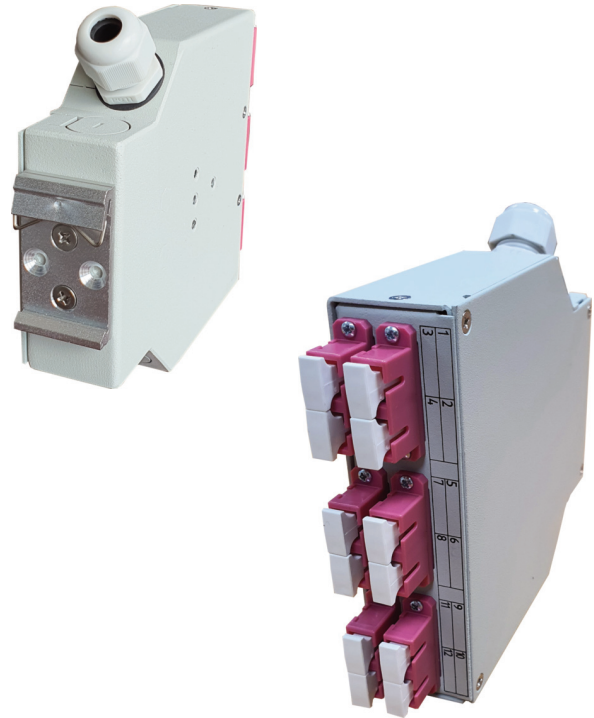
Industrial splice box for DIN rail mounting

Field of application

euroclust offers a fiber optic splice divider for industrial applications which can be mounted on a DIN rail. The splice box can either be ordered empty or assembled with adapters and pigtails.

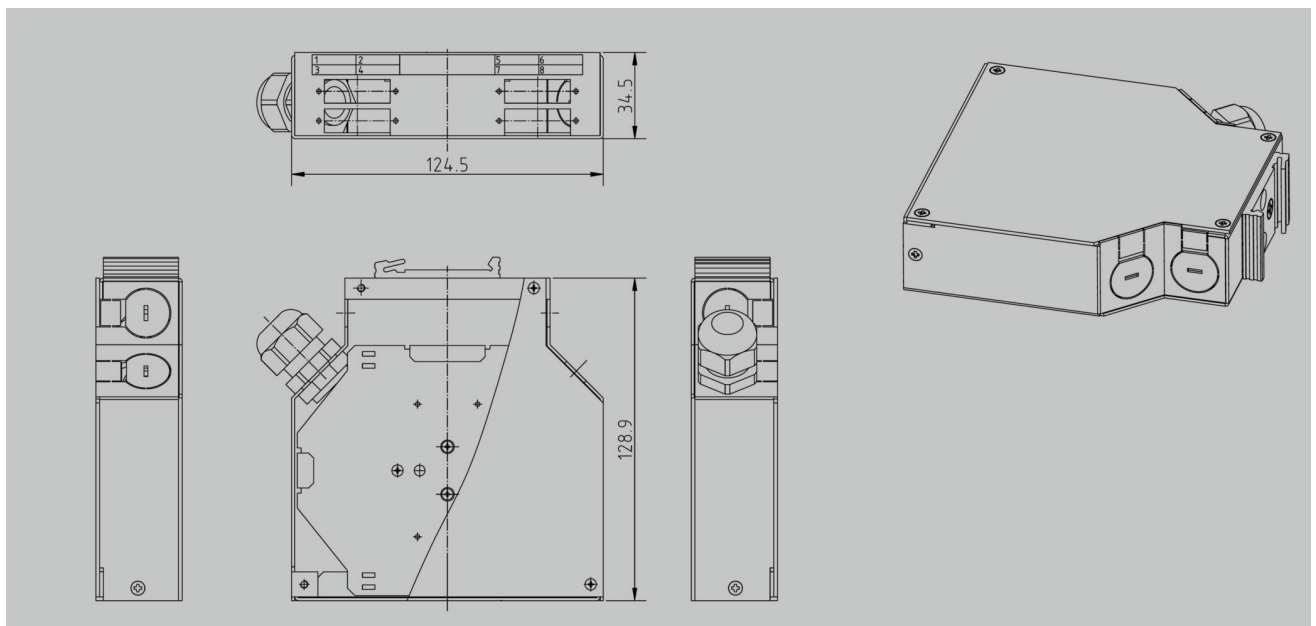
Features

- 6 different front plates available
- with integrated splice tray and various splice protection holders either for fusion splice protection or crimp splice protection
- for max 12 fibers
- high quality aluminium holder
- available either as empty box, with mounted adapters or also with dismantled and inserted pigtails, ready for splicing
- fiber optic cable entrance through cable glands (PG11, top or bottom straight or slant)
- implementation of pre-connectorized FO cables possible
- robust and stable industrial steel execution
- painted in colour RAL 7035 light grey, other colors on special request
- beside standard labeling strip any special labeling is possible
- when LC duplex adapters are used, they are also available with integrated shutter
- when SC simplex or SC duplex adapters are used separate pluggable retractable dust cups are available
- 4 x removable rodent protection



Technical information

Industrial splice box color	RAL 7035
Dimensions LxWxH (mm) w/o adapters	130x35x125
Packing dimensions (mm)	175x40x150



D-ENC03-09/20-001

Industrial splice box for DIN rail mounting

Empty industrial splice box

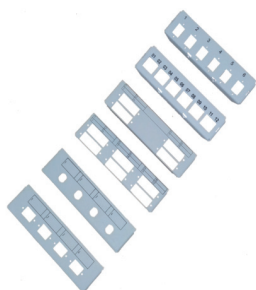


Ordering information:

Industrial splice box without front plate

EC03.101010.101-V2

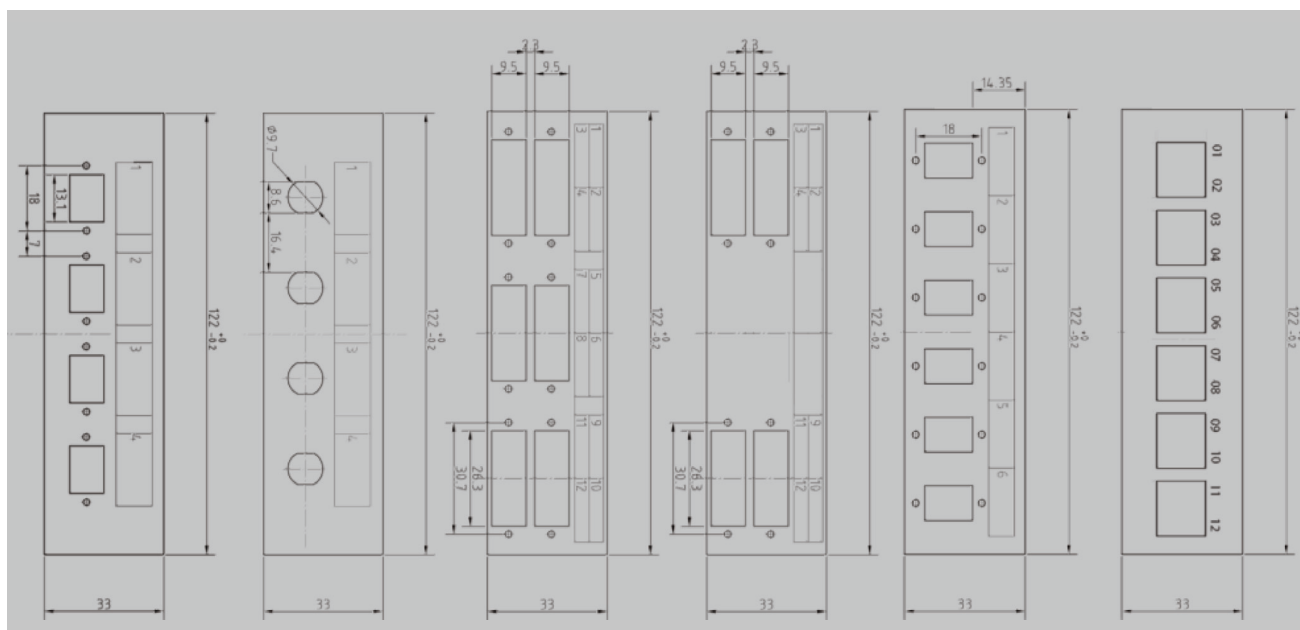
Front plate



Ordering information:

Front plate with cutouts for 4ST/FC adapters
 Front plate with cutouts for 4SCsx/LCdx adapters
 Front plate with cutouts for 4SCdx/STdx adapters
 Front plate with cutouts for 6SCdx/STdx adapters
 Front plate with cutouts for 6SCsx/LCdx adapters
 Front plate with cutouts for 6E2000 Compact adapters

EC03.101010.106
 EC03.101010.107
 EC03.101010.108
 EC03.101010.109
 EC03.101010.111
 EC03.101010.112



Industrial splice box (ISB) with mounted front plate



Ordering information:

ISB with front plate with cutouts for 4ST/FC adapters
 ISB with front plate with cutouts for 4SCsx/LCdx adapters
 ISB with front plate with cutouts for 4SCdx/STdx adapters
 ISB with front plate with cutouts for 6SCdx/STdx adapters
 ISB with front plate with cutouts for 6SCsx/LCdx adapters
 ISB with front plate with cutouts for 6E2000 Com adapters

EC03.101010.102-V2
 EC03.101010.103-V2
 EC03.101010.104-V2
 EC03.101010.105-V2
 EC03.101010.581-V2
 EC03.101010.582-V2

Industrial splice box for DIN rail mounting

Industrial splice box assembled complete solution

Ordering information

Industrial splice box (ISB) with frontplate with cutouts for 6SCdx

ISB + front plate+ gland + plug mounted	EC03.101010.113-V2
ISB + front plate+ gland + plug mounted + shrink splice holder	EC03.101010.154-V2
ISB + front plate+ gland + plug mounted + crimp splice holder	EC03.101010.158-V2
1E9/UPC - Front plate with 6SC/UPCdx adapters	
With shrink splice holder, SC/UPCdx adapter SM blue	EC03.101010.341-V2
With shrink splice holder, SC/UPCdx adapter SM blue + pigtail SC/UPC E9/125, 1m	EC03.101010.342-V2
With crimp splice holder, SC/UPCdx adapter SM blue	EC03.101010.343-V2
With crimp splice holder, SC/UPCdx adapter SM blue + pigtail SC/UPC E9/125, 1m	EC03.101010.344-V2
1E9/APC - Front plate with 6SC/APCdx adapters	
With shrink splice holder, SC/APCdx adapter SM green	EC03.101010.345-V2
With shrink splice holder, SC/APCdx adapter SM green + pigtail SC/APC E9/125, 1m	EC03.101010.346-V2
With crimp splice holder, SC/APCdx adapter SM green	EC03.101010.347-V2
With crimp splice holder, SC/APCdx adapter SM green + pigtail SC/APC E9/125, 1m	EC03.101010.348-V2
1G50 OM2 - Front plate with 6SC/PCdx adapters	
With shrink splice holder, SC/PCdx adapter MM beige	EC03.101010.349-V2
With shrink splice holder, SC/PCdx adapter MM beige + pigtail SC/PC G50/125, OM2, 1m	EC03.101010.350-V2
With crimp splice holder, SC/PCdx adapter MM beige	EC03.101010.351-V2
With crimp splice holder, SC/PCdx adapter MM beige + pigtail SC/PC G50/125, OM2, 1m	EC03.101010.352-V2
1G50 OM3 - Front plate with 6SC/PCdx adapters	
With shrink splice holder, SC/PCdx adapter MM aqua	EC03.101010.353-V2
With shrink splice holder, SC/PCdx adapter MM aqua + pigtail SC/PC G50/125, OM3, 1m	EC03.101010.354-V2
With crimp splice holder, SC/PCdx adapter MM aqua	EC03.101010.355-V2
With crimp splice holder, SC/PCdx adapter MM aqua + pigtail SC/PC G50/125, OM3, 1m	EC03.101010.356-V2
1G50 OM4 - Front plate with 6SC/PCdx adapters	
With shrink splice holder, SC/PCdx adapter MM heather violet	EC03.101010.357-V2
With shrink splice holder, SC/PCdx adapter MM heather violet + pigtail SC/PC G50/125, OM4, 1m	EC03.101010.358-V2
With crimp splice holder, SC/PCdx adapter MM heather violet	EC03.101010.359-V2
With crimp splice holder, SC/PCdx adapter MM heather violet + pigtail SC/PC G50/125, OM4, 1m	EC03.101010.360-V2
1G62,5 OM1 - Front plate with 6SC/PCdx adapters	
With shrink splice holder, SC/PCdx adapter MM beige	EC03.101010.361-V2
With shrink splice holder, SC/PCdx adapter MM beige + pigtail SC/PC G62,5/125, OM1, 1m	EC03.101010.362-V2
With crimp splice holder, SC/PCdx adapter MM beige	EC03.101010.363-V2
With crimp splice holder, SC/PCdx adapter MM beige + pigtail SC/PC G62,5/125, OM1, 1m	EC03.101010.364-V2

Ordering information

Industrial splice box (ISB) with frontplate with cutouts for 6STdx

ISB + front plate+ gland + plug mounted	EC03.101010.113-V2
ISB + front plate+ gland + plug mounted + shrink splice holder	EC03.101010.154-V2
ISB + front plate+ gland + plug mounted + crimp splice holder	EC03.101010.158-V2
1E9/UPC - Front plate with 6SC/UPCdx adapters	
With shrink splice holder, ST/UPCdx adapter SM metal	EC03.101010.365-V2
With shrink splice holder, ST/UPCdx adapter SM metal + pigtail ST/UPC E9/125, 1m	EC03.101010.366-V2
With crimp splice holder, ST/UPCdx adapter SM metal	EC03.101010.367-V2
With crimp splice holder, ST/UPCdx adapter SM metal + pigtail ST/UPC E9/125, 1m	EC03.101010.368-V2
1G50 OM2 - Front plate with 6SC/PCdx adapters	
With shrink splice holder, ST/PCdx adapter MM metal	EC03.101010.373-V2
With shrink splice holder, ST/PCdx adapter MM metal + pigtail ST/PC G50/125, OM2, 1m	EC03.101010.374-V2
With crimp splice holder, ST/PCdx adapter MM metal	EC03.101010.375-V2
With crimp splice holder, ST/PCdx adapter MM metal + pigtail ST/PC G50/125, OM2, 1m	EC03.101010.376-V2
1G50 OM3 - Front plate with 6SC/PCdx adapters	
With shrink splice holder, ST/PCdx adapter MM metal	EC03.101010.377-V2
With shrink splice holder, ST/PCdx adapter MM metal + pigtail ST/PC G50/125, OM3, 1m	EC03.101010.378-V2
With crimp splice holder, ST/PCdx adapter MM metal	EC03.101010.379-V2
With crimp splice holder, ST/PCdx adapter MM metal + pigtail ST/PC G50/125, OM3, 1m	EC03.101010.380-V2
1G50 OM4 - Front plate with 6SC/PCdx adapters	
With shrink splice holder, ST/PCdx adapter MM metal	EC03.101010.381-V2
With shrink splice holder, ST/PCdx adapter MM metal + pigtail ST/PC G50/125, OM4, 1m	EC03.101010.382-V2
With crimp splice holder, ST/PCdx adapter MM metal	EC03.101010.383-V2
With crimp splice holder, ST/PCdx adapter MM metal + pigtail ST/PC G50/125, OM4, 1m	EC03.101010.384-V2
1G62,5 OM1 - Front plate with 6SC/PCdx adapters	
With shrink splice holder, ST/PCdx adapter MM metal	EC03.101010.385-V2
With shrink splice holder, ST/PCdx adapter MM metal + pigtail ST/PC G62,5/125, OM1, 1m	EC03.101010.386-V2
With crimp splice holder, ST/PCdx adapter MM metal	EC03.101010.387-V2
With crimp splice holder, ST/PCdx adapter MM metal + pigtail ST/PC G62,5/125, OM1, 1m	EC03.101010.388-V2

Ordering information

Industrial splice box (ISB) with frontplate with cutouts for 4SCdx

ISB + front plate+ gland + plug mounted	EC03.101010.112-V2
ISB + front plate+ gland + plug mounted + shrink splice holder	EC03.101010.153-V2
ISB + front plate+ gland + plug mounted + crimp splice holder	EC03.101010.157-V2
1E9/UPC - Front plate with 4SC/UPCdx adapters	
With shrink splice holder, SC/UPCdx adapter SM blue	EC03.101010.301-V2
With shrink splice holder, SC/UPCdx adapter SM blue + pigtail SC/UPC E9/125, 1m	EC03.101010.302-V2
With crimp splice holder, SC/UPCdx adapter SM blue	EC03.101010.303-V2
With crimp splice holder, SC/UPCdx adapter SM blue + pigtail SC/UPC E9/125, 1m	EC03.101010.304-V2
1E9/APC - Front plate with 4SC/APCdx adapters	
With shrink splice holder, SC/APCdx adapter SM green	EC03.101010.305-V2
With shrink splice holder, SC/APCdx adapter SM green + pigtail SC/APC E9/125, 1m	EC03.101010.306-V2
With crimp splice holder, SC/APCdx adapter SM green	EC03.101010.307-V2
With crimp splice holder, SC/APCdx adapter SM green + pigtail SC/APC E9/125, 1m	EC03.101010.308-V2
1G50 OM2 - Front plate with 4SC/PCdx adapters	
With shrink splice holder, SC/PCdx adapter MM beige	EC03.101010.309-V2
With shrink splice holder, SC/PCdx adapter MM beige + pigtail SC/PC G50/125, OM2, 1m	EC03.101010.310-V2
With crimp splice holder, SC/PCdx adapter MM beige	EC03.101010.311-V2
With crimp splice holder, SC/PCdx adapter MM beige + pigtail SC/PC G50/125, OM2, 1m	EC03.101010.312-V2
1G50 OM3 - Front plate with 4SC/PCdx adapters	
With shrink splice holder, SC/PCdx adapter MM aqua	EC03.101010.313-V2
With shrink splice holder, SC/PCdx adapter MM aqua + pigtail SC/PC G50/125, OM3, 1m	EC03.101010.314-V2
With crimp splice holder, SC/PCdx adapter MM aqua	EC03.101010.315-V2
With crimp splice holder, SC/PCdx adapter MM aqua + pigtail SC/PC G50/125, OM3, 1m	EC03.101010.316-V2
1G50 OM4 - Front plate with 4SC/PCdx adapters	
With shrink splice holder, SC/PCdx adapter MM heather violet	EC03.101010.317-V2
With shrink splice holder, SC/PCdx adapter MM heather violet + pigtail SC/PC G50/125, OM4, 1m	EC03.101010.318-V2
With crimp splice holder, SC/PCdx adapter MM heather violet	EC03.101010.319-V2
With crimp splice holder, SC/PCdx adapter MM heather violet + pigtail SC/PC G50/125, OM4, 1m	EC03.101010.320-V2
1G62,5 OM1 - Front plate with 4SC/PCdx adapters	
With shrink splice holder, SC/PCdx adapter MM beige	EC03.101010.321-V2
With shrink splice holder, SC/PCdx adapter MM beige + pigtail SC/PC G62,5/125, OM1, 1m	EC03.101010.322-V2
With crimp splice holder, SC/PCdx adapter MM beige	EC03.101010.323-V2
With crimp splice holder, SC/PCdx adapter MM beige + pigtail SC/PC G62,5/125, OM1, 1m	EC03.101010.324-V2

Industrial splice box (ISB) with frontplate with cutouts for 4STdx

ISB + front plate+ gland + plug mounted	EC03.101010.112-V2
ISB + front plate+ gland + plug mounted + shrink splice holder	EC03.101010.153-V2
ISB + front plate+ gland + plug mounted + crimp splice holder	EC03.101010.157-V2
1E9/UPC - Front plate with 6SC/UPCdx adapters	
With shrink splice holder, ST/UPCdx adapter SM metal	EC03.101010.401-V2
With shrink splice holder, ST/UPCdx adapter SM metal + pigtail ST/UPC E9/125, 1m	EC03.101010.402-V2
With crimp splice holder, ST/UPCdx adapter SM metal	EC03.101010.403-V2
With crimp splice holder, ST/UPCdx adapter SM metal + pigtail ST/UPC E9/125, 1m	EC03.101010.404-V2
1G50 OM2 - Front plate with 6SC/PCdx adapters	
With shrink splice holder, ST/PCdx adapter MM metal	EC03.101010.409-V2
With shrink splice holder, ST/PCdx adapter MM metal + pigtail ST/PC G50/125, OM2, 1m	EC03.101010.410-V2
With crimp splice holder, ST/PCdx adapter MM metal	EC03.101010.411-V2
With crimp splice holder, ST/PCdx adapter MM metal + pigtail ST/PC G50/125, OM2, 1m	EC03.101010.412-V2
1G50 OM3 - Front plate with 6SC/PCdx adapters	
With shrink splice holder, ST/PCdx adapter MM metal	EC03.101010.413-V2
With shrink splice holder, ST/PCdx adapter MM metal + pigtail ST/PC G50/125, OM3, 1m	EC03.101010.414-V2
With crimp splice holder, ST/PCdx adapter MM metal	EC03.101010.415-V2
With crimp splice holder, ST/PCdx adapter MM metal + pigtail ST/PC G50/125, OM3, 1m	EC03.101010.416-V2
1G50 OM4 - Front plate with 6SC/PCdx adapters	
With shrink splice holder, ST/PCdx adapter MM metal	EC03.101010.417-V2
With shrink splice holder, ST/PCdx adapter MM metal + pigtail ST/PC G50/125, OM4, 1m	EC03.101010.418-V2
With crimp splice holder, ST/PCdx adapter MM metal	EC03.101010.419-V2
With crimp splice holder, ST/PCdx adapter MM metal + pigtail ST/PC G50/125, OM4, 1m	EC03.101010.420-V2
1G62,5 OM1 - Front plate with 6SC/PCdx adapters	
With shrink splice holder, ST/PCdx adapter MM metal	EC03.101010.421-V2
With shrink splice holder, ST/PCdx adapter MM metal + pigtail ST/PC G62,5/125, OM1, 1m	EC03.101010.422-V2
With crimp splice holder, ST/PCdx adapter MM metal	EC03.101010.423-V2
With crimp splice holder, ST/PCdx adapter MM metal + pigtail ST/PC G62,5/125, OM1, 1m	EC03.101010.424-V2

Industrial splice box for DIN rail mounting

Ordering information

Industrial splice box (ISB) with frontplate with cutouts for 4SCsx

ISB + front plate+ gland + plug mounted	EC03.101010.111-V2
ISB + front plate+ gland + plug mounted + shrink splice holder	EC03.101010.152-V2
ISB + front plate+ gland + plug mounted + crimp splice holder	EC03.101010.156-V2
1E9/UPC - Front plate with 4SC/UPCsx adapters	
With shrink splice holder, SC/UPCsx adapter SM blue	EC03.101010.251-V2
With shrink splice holder, SC/UPCsx adapter SM blue + pigtail SC/UPC E9/125, 1m	EC03.101010.252-V2
With crimp splice holder, SC/UPCsx adapter SM blue	EC03.101010.253-V2
With crimp splice holder, SC/UPCsx adapter SM blue + pigtail SC/UPC E9/125, 1m	EC03.101010.254-V2
1E9/APC - Front plate with 4SC/APCsx adapters	
With shrink splice holder, SC/APCsx adapter SM green	EC03.101010.255-V2
With shrink splice holder, SC/APCsx adapter SM green + pigtail SC/APC E9/125, 1m	EC03.101010.256-V2
With crimp splice holder, SC/APCsx adapter SM green	EC03.101010.257-V2
With crimp splice holder, SC/APCsx adapter SM green + pigtail SC/APC E9/125, 1m	EC03.101010.258-V2
1G50 OM2 - Front plate with 4SC/PCsx adapters	
With shrink splice holder, SC/PCsx adapter MM beige	EC03.101010.259-V2
With shrink splice holder, SC/PCsx adapter MM beige + pigtail SC/PC G50/125, OM2, 1m	EC03.101010.260-V2
With crimp splice holder, SC/PCsx adapter MM beige	EC03.101010.261-V2
With crimp splice holder, SC/PCsx adapter MM beige + pigtail SC/PC G50/125, OM2, 1m	EC03.101010.262-V2
1G50 OM3 - Front plate with 4SC/PCsx adapters	
With shrink splice holder, SC/PCsx adapter MM aqua	EC03.101010.263-V2
With shrink splice holder, SC/PCsx adapter MM aqua + pigtail SC/PC G50/125, OM3, 1m	EC03.101010.264-V2
With crimp splice holder, SC/PCsx adapter MM aqua	EC03.101010.265-V2
With crimp splice holder, SC/PCsx adapter MM aqua + pigtail SC/PC G50/125, OM3, 1m	EC03.101010.266-V2
1G50 OM4 - Front plate with 4SC/PCsx adapters	
With shrink splice holder, SC/PCsx adapter MM heather violet	EC03.101010.267-V2
With shrink splice holder, SC/PCsx adapter MM heather violet + pigtail SC/PC G50/125, OM4, 1m	EC03.101010.268-V2
With crimp splice holder, SC/PCsx adapter MM heather violet	EC03.101010.269-V2
With crimp splice holder, SC/PCsx adapter MM heather violet + pigtail SC/PC G50/125, OM4, 1m	EC03.101010.270-V2
1G62,5 OM1 - Front plate with 4SC/PCsx adapters	
With shrink splice holder, SC/PCsx adapter MM beige	EC03.101010.271-V2
With shrink splice holder, SC/PCsx adapter MM beige + pigtail SC/PC G62,5/125, OM1, 1m	EC03.101010.272-V2
With crimp splice holder, SC/PCsx adapter MM beige	EC03.101010.273-V2
With crimp splice holder, SC/PCsx adapter MM beige + pigtail SC/PC G62,5/125, OM1, 1m	EC03.101010.274-V2

Industrial splice box (ISB) with frontplate with cutouts for 4LCdx

ISB + front plate+ gland + plug mounted	EC03.101010.113-V2
ISB + front plate+ gland + plug mounted + shrink splice holder	EC03.101010.154-V2
ISB + front plate+ gland + plug mounted + crimp splice holder	EC03.101010.158-V2
1E9/UPC - Front plate with 4LC/UPCdx adapters	
With shrink splice holder, LC/UPCdx adapter SM blue	EC03.101010.275-V2
With shrink splice holder, LC/UPCdx adapter SM blue + pigtail LC/UPC E9/125, 1m	EC03.101010.276-V2
With crimp splice holder, LC/UPCdx adapter SM blue	EC03.101010.277-V2
With crimp splice holder, LC/UPCdx adapter SM blue + pigtail LC/UPC E9/125, 1m	EC03.101010.278-V2
1E9/APC - Front plate with 4LC/APCdx adapters	
With shrink splice holder, LC/APCdx adapter SM green	EC03.101010.279-V2
With shrink splice holder, LC/APCdx adapter SM green + pigtail LC/APC E9/125, 1m	EC03.101010.280-V2
With crimp splice holder, LC/APCdx adapter SM green	EC03.101010.281-V2
With crimp splice holder, LC/APCdx adapter SM green + pigtail LC/APC E9/125, 1m	EC03.101010.282-V2
1G50 OM2 - Front plate with 4LC/PCdx adapters	
With shrink splice holder, LC/PCdx adapter MM beige	EC03.101010.283-V2
With shrink splice holder, LC/PCdx adapter MM beige + pigtail LC/PC G50/125, OM2, 1m	EC03.101010.284-V2
With crimp splice holder, LC/PCdx adapter MM beige	EC03.101010.285-V2
With crimp splice holder, LC/PCdx adapter MM beige + pigtail LC/PC G50/125, OM2, 1m	EC03.101010.286-V2
1G50 OM3 - Front plate with 4LC/PCdx adapters	
With shrink splice holder, LC/PCdx adapter MM aqua	EC03.101010.287-V2
With shrink splice holder, LC/PCdx adapter MM aqua + pigtail LC/PC G50/125, OM3, 1m	EC03.101010.288-V2
With crimp splice holder, LC/PCdx adapter MM aqua	EC03.101010.289-V2
With crimp splice holder, LC/PCdx adapter MM aqua + pigtail LC/PC G50/125, OM3, 1m	EC03.101010.290-V2
1G50 OM4 - Front plate with 4LC/PCdx adapters	
With shrink splice holder, LC/PCdx adapter MM heather violet	EC03.101010.291-V2
With shrink splice holder, LC/PCdx adapter MM heather violet + pigtail LC/PC G50/125, OM4, 1m	EC03.101010.292-V2
With crimp splice holder, LC/PCdx adapter MM heather violet	EC03.101010.293-V2
With crimp splice holder, LC/PCdx adapter MM heather violet + pigtail LC/PC G50/125, OM4, 1m	EC03.101010.294-V2
1G62,5 OM1 - Front plate with 4LC/PCdx adapters	
With shrink splice holder, LC/PCdx adapter MM beige	EC03.101010.295-V2
With shrink splice holder, LC/PCdx adapter MM beige + pigtail LC/PC G62,5/125, OM1, 1m	EC03.101010.296-V2
With crimp splice holder, LC/PCdx adapter MM beige	EC03.101010.297-V2
With crimp splice holder, LC/PCdx adapter MM beige + pigtail LC/PC G62,5/125, OM1, 1m	EC03.101010.298-V2

Ordering information

Industrial splice box (ISB) with frontplate with cutouts for 4STsx

ISB + front plate+ gland + plug mounted	EC03.101010.110-V2
ISB + front plate+ gland + plug mounted + shrink splice holder	EC03.101010.151-V2
ISB + front plate+ gland + plug mounted + crimp splice holder	EC03.101010.155-V2
1E9/UPC - Front plate with 4ST/UPCsx adapters	
With shrink splice holder, ST/UPCsx adapter SM metal	EC03.101010.201-V2
With shrink splice holder, ST/UPCsx adapter SM metal + pigtail ST/UPC E9/125, 1m	EC03.101010.202-V2
With crimp splice holder, ST/UPCsx adapter SM metal	EC03.101010.203-V2
With crimp splice holder, ST/UPCsx adapter SM metal + pigtail ST/UPC E9/125, 1m	EC03.101010.204-V2
1G50 OM2 - Front plate with 4ST/PCsx adapters	
With shrink splice holder, ST/PCsx adapter MM metal	EC03.101010.205-V2
With shrink splice holder, ST/PCsx adapter MM metal + pigtail ST/PC G50/125, OM2, 1m	EC03.101010.206-V2
With crimp splice holder, ST/PCsx adapter MM metal	EC03.101010.207-V2
With crimp splice holder, ST/PCsx adapter MM metal + pigtail ST/PC G50/125, OM2, 1m	EC03.101010.208-V2
1G50 OM3 - Front plate with 4ST/PCsx adapters	
With shrink splice holder, ST/PCsx adapter MM metal	EC03.101010.209-V2
With shrink splice holder, ST/PCsx adapter MM metal + pigtail ST/PC G50/125, OM3, 1m	EC03.101010.210-V2
With crimp splice holder, ST/PCsx adapter MM metal	EC03.101010.211-V2
With crimp splice holder, ST/PCsx adapter MM metal + pigtail ST/PC G50/125, OM3, 1m	EC03.101010.212-V2
1G50 OM4 - Front plate with 4ST/PCsx adapters	
With shrink splice holder, ST/PCsx adapter MM metal	EC03.101010.213-V2
With shrink splice holder, ST/PCsx adapter MM metal + pigtail ST/PC G50/125, OM4, 1m	EC03.101010.214-V2
With crimp splice holder, ST/PCsx adapter MM metal	EC03.101010.215-V2
With crimp splice holder, ST/PCsx adapter MM metal + pigtail ST/PC G50/125, OM4, 1m	EC03.101010.216-V2
1G62,5 OM1 - Front plate with 4ST/PCsx adapters	
With shrink splice holder, ST/PCsx adapter MM metal	EC03.101010.217-V2
With shrink splice holder, ST/PCsx adapter MM metal + pigtail ST/PC G62,5/125, OM1, 1m	EC03.101010.218-V2
With crimp splice holder, ST/PCsx adapter MM metal	EC03.101010.219-V2
With crimp splice holder, ST/PCsx adapter MM metal + pigtail ST/PC G62,5/125, OM1, 1m	EC03.101010.220-V2

Industrial splice box (ISB) with frontplate with cutouts for 4FCsx

ISB + front plate+ gland + plug mounted	EC03.101010.110-V2
ISB + front plate+ gland + plug mounted + shrink splice holder	EC03.101010.151-V2
ISB + front plate+ gland + plug mounted + crimp splice holder	EC03.101010.155-V2
1E9/UPC - Front plate with 4FC/UPCsx adapters	
With shrink splice holder, FC/UPCsx adapter SM metal	EC03.101010.221-V2
With shrink splice holder, FC/UPCsx adapter SM metal + pigtail FC/UPC E9/125, 1m	EC03.101010.222-V2
With crimp splice holder, FC/UPCsx adapter SM metal	EC03.101010.223-V2
With crimp splice holder, FC/UPCsx adapter SM metal + pigtail FC/UPC E9/125, 1m	EC03.101010.224-V2
1E9/APC - Front plate with 4FC/APCsx adapters	
With shrink splice holder, FC/APCsx adapter SM metal	EC03.101010.225-V2
With shrink splice holder, FC/APCsx adapter SM metal + pigtail FC/APC E9/125, 1m	EC03.101010.226-V2
With crimp splice holder, FC/APCsx adapter SM metal	EC03.101010.227-V2
With crimp splice holder, FC/APCsx adapter SM metal + pigtail FC/APC E9/125, 1m	EC03.101010.228-V2
1G50 OM2 - Front plate with 4FC/PCsx adapters	
With shrink splice holder, FC/PCsx adapter MM metal	EC03.101010.229-V2
With shrink splice holder, FC/PCsx adapter MM metal + pigtail FC/PC G50/125, OM2, 1m	EC03.101010.230-V2
With crimp splice holder, FC/PCsx adapter MM metal	EC03.101010.231-V2
With crimp splice holder, FC/PCsx adapter MM metal + pigtail FC/PC G50/125, OM2, 1m	EC03.101010.232-V2
1G50 OM3 - Front plate with 4FC/PCsx adapters	
With shrink splice holder, FC/PCsx adapter MM metal	EC03.101010.233-V2
With shrink splice holder, FC/PCsx adapter MM metal + pigtail FC/PC G50/125, OM3, 1m	EC03.101010.234-V2
With crimp splice holder, FC/PCsx adapter MM metal	EC03.101010.235-V2
With crimp splice holder, FC/PCsx adapter MM aqua + pigtail FC/PC G50/125, OM3, 1m	EC03.101010.236-V2
1G50 OM4 - Front plate with 4FC/PCsx adapters	
With shrink splice holder, FC/PCsx adapter MM heather violet	EC03.101010.237-V2
With shrink splice holder, FC/PCsx adapter MM heather violet + pigtail FC/PC G50/125, OM4, 1m	EC03.101010.238-V2
With crimp splice holder, FC/PCsx adapter MM heather violet	EC03.101010.239-V2
With crimp splice holder, FC/PCsx adapter MM heather violet + pigtail FC/PC G50/125, OM4, 1m	EC03.101010.240-V2
1G62,5 OM1 - Front plate with 4FC/PCsx adapters	
With shrink splice holder, FC/PCsx adapter MM beige	EC03.101010.241-V2
With shrink splice holder, FC/PCsx adapter MM beige + pigtail FC/PC G62,5/125, OM1, 1m	EC03.101010.242-V2
With crimp splice holder, FC/PCsx adapter MM beige	EC03.101010.243-V2
With crimp splice holder, FC/PCsx adapter MM beige + pigtail FC/PC G62,5/125, OM1, 1m	EC03.101010.244-V2

Industrial splice box for DIN rail mounting

Ordering information

Industrial splice box (ISB) with frontplate with cutouts for 6SCsx

ISB + front plate+ gland + plug mounted	EC03.101010.501-V2
ISB + front plate+ gland + plug mounted + shrink splice holder	EC03.101010.502-V2
ISB + front plate+ gland + plug mounted + crimp splice holder	EC03.101010.503-V2
1E9/UPC - Front plate with 6SC/UPCsx adapters	
With shrink splice holder, SC/UPCsx adapter SM blue	EC03.101010.504-V2
With shrink splice holder, SC/UPCsx adapter SM blue + pigtail SC/UPC E9/125, 1m	EC03.101010.505-V2
With crimp splice holder, SC/UPCsx adapter SM blue	EC03.101010.506-V2
With crimp splice holder, SC/UPCsx adapter SM blue + pigtail SC/UPC E9/125, 1m	EC03.101010.507-V2
1E9/APC - Front plate with 6SC/APCsx adapters	
With shrink splice holder, SC/APCsx adapter SM green	EC03.101010.508-V2
With shrink splice holder, SC/APCsx adapter SM green + pigtail SC/APC E9/125, 1m	EC03.101010.509-V2
With crimp splice holder, SC/APCsx adapter SM green	EC03.101010.510-V2
With crimp splice holder, SC/APCsx adapter SM green + pigtail SC/APC E9/125, 1m	EC03.101010.511-V2
1G50 OM2 - Front plate with 6SC/PCsx adapters	
With shrink splice holder, SC/PCsx adapter MM beige	EC03.101010.512-V2
With shrink splice holder, SC/PCsx adapter MM beige + pigtail SC/PC G50/125, OM2, 1m	EC03.101010.513-V2
With crimp splice holder, SC/PCsx adapter MM beige	EC03.101010.514-V2
With crimp splice holder, SC/PCsx adapter MM beige + pigtail SC/PC G50/125, OM2, 1m	EC03.101010.515-V2
1G50 OM3 - Front plate with 6SC/PCsx adapters	
With shrink splice holder, SC/PCsx adapter MM aqua	EC03.101010.516-V2
With shrink splice holder, SC/PCsx adapter MM aqua + pigtail SC/PC G50/125, OM3, 1m	EC03.101010.517-V2
With crimp splice holder, SC/PCsx adapter MM aqua	EC03.101010.518-V2
With crimp splice holder, SC/PCsx adapter MM aqua + pigtail SC/PC G50/125, OM3, 1m	EC03.101010.519-V2
1G50 OM4 - Front plate with 6SC/PCsx adapters	
With shrink splice holder, SC/PCsx adapter MM heather violet	EC03.101010.520-V2
With shrink splice holder, SC/PCsx adapter MM heather violet + pigtail SC/PC G50/125, OM4, 1m	EC03.101010.521-V2
With crimp splice holder, SC/PCsx adapter MM heather violet	EC03.101010.522-V2
With crimp splice holder, SC/PCsx adapter MM heather violet + pigtail SC/PC G50/125, OM4, 1m	EC03.101010.523-V2
1G62,5 OM1 - Front plate with 6SC/PCsx adapters	
With shrink splice holder, SC/PCsx adapter MM beige	EC03.101010.524-V2
With shrink splice holder, SC/PCsx adapter MM beige + pigtail SC/PC G62,5/125, OM1, 1m	EC03.101010.525-V2
With crimp splice holder, SC/PCsx adapter MM beige	EC03.101010.526-V2
With crimp splice holder, SC/PCsx adapter MM beige + pigtail SC/PC G62,5/125, OM1, 1m	EC03.101010.527-V2

Industrial splice box (ISB) with frontplate with cutouts for 6LCdx

ISB + front plate+ gland + plug mounted	EC03.101010.111-V2
ISB + front plate+ gland + plug mounted + shrink splice holder	EC03.101010.152-V2
ISB + front plate+ gland + plug mounted + crimp splice holder	EC03.101010.156-V2
1E9/UPC - Front plate with 6LC/UPCdx adapters	
With shrink splice holder, LC/UPCdx adapter SM blue	EC03.101010.528-V2
With shrink splice holder, LC/UPCdx adapter SM blue + pigtail LC/UPC E9/125, 1m	EC03.101010.529-V2
With crimp splice holder, LC/UPCdx adapter SM blue	EC03.101010.530-V2
With crimp splice holder, LC/UPCdx adapter SM blue + pigtail LC/UPC E9/125, 1m	EC03.101010.531-V2
1E9/APC - Front plate with 6LC/APCdx adapters	
With shrink splice holder, LC/APCdx adapter SM green	EC03.101010.532-V2
With shrink splice holder, LC/APCdx adapter SM green + pigtail LC/APC E9/125, 1m	EC03.101010.533-V2
With crimp splice holder, LC/APCdx adapter SM green	EC03.101010.534-V2
With crimp splice holder, LC/APCdx adapter SM green + pigtail LC/APC E9/125, 1m	EC03.101010.535-V2
1G50 OM2 - Front plate with 6LC/PCdx adapters	
With shrink splice holder, LC/PCdx adapter MM beige	EC03.101010.536-V2
With shrink splice holder, LC/PCdx adapter MM beige + pigtail LC/PC G50/125, OM2, 1m	EC03.101010.537-V2
With crimp splice holder, LC/PCdx adapter MM beige	EC03.101010.538-V2
With crimp splice holder, LC/PCdx adapter MM beige + pigtail LC/PC G50/125, OM2, 1m	EC03.101010.539-V2
1G50 OM3 - Front plate with 6LC/PCdx adapters	
With shrink splice holder, LC/PCdx adapter MM aqua	EC03.101010.540-V2
With shrink splice holder, LC/PCdx adapter MM aqua + pigtail LC/PC G50/125, OM3, 1m	EC03.101010.541-V2
With crimp splice holder, LC/PCdx adapter MM aqua	EC03.101010.542-V2
With crimp splice holder, LC/PCdx adapter MM aqua + pigtail LC/PC G50/125, OM3, 1m	EC03.101010.543-V2
1G50 OM4 - Front plate with 6LC/PCdx adapters	
With shrink splice holder, LC/PCdx adapter MM heather violet	EC03.101010.544-V2
With shrink splice holder, LC/PCdx adapter MM heather violet + pigtail LC/PC G50/125, OM4, 1m	EC03.101010.545-V2
With crimp splice holder, LC/PCdx adapter MM heather violet	EC03.101010.546-V2
With crimp splice holder, LC/PCdx adapter MM heather violet + pigtail LC/PC G50/125, OM4, 1m	EC03.101010.547-V2
1G62,5 OM1 - Front plate with 6LC/PCdx adapters	
With shrink splice holder, LC/PCdx adapter MM beige	EC03.101010.548-V2
With shrink splice holder, LC/PCdx adapter MM beige + pigtail LC/PC G62,5/125, OM1, 1m	EC03.101010.549-V2
With crimp splice holder, LC/PCdx adapter MM beige	EC03.101010.550-V2
With crimp splice holder, LC/PCdx adapter MM beige + pigtail LC/PC G62,5/125, OM1, 1m	EC03.101010.551-V2

Ordering information

Industrial splice box (ISB) with frontplate with cutouts for 6xE2000 compact

ISB + front plate+ gland + plug mounted	EC03.101010.501-V2
ISB + front plate+ gland + plug mounted + shrink splice holder	EC03.101010.502-V2
ISB + front plate+ gland + plug mounted + crimp splice holder	EC03.101010.503-V2
1E9/UPC - Front plate with 6xE2000 compact adapters	
With shrink splice holder, E2000 compact adapter SM blue	EC03.101010.504-V2
With shrink splice holder, E2000 compact adapter SM blue + pigtail E2000 compact E9/125, 1m	EC03.101010.505-V2
With crimp splice holder, E2000 compact adapter SM blue	EC03.101010.506-V2
With crimp splice holder, E2000 compact adapter SM blue + pigtail E2000 compact E9/125, 1m	EC03.101010.507-V2
1E9/APC - Front plate with 6xE2000 compact adapters	
With shrink splice holder, E2000 compact adapter SM green	EC03.101010.508-V2
With shrink splice holder, E2000 compact adapter SM green + pigtail E2000 compact E9/125, 1m	EC03.101010.509-V2
With crimp splice holder, E2000 compact adapter SM green	EC03.101010.510-V2
With crimp splice holder, E2000 compact adapter SM green + pigtail E2000 compact E9/125, 1m	EC03.101010.511-V2
1G50 OM2 - Front plate with 6xE2000 compact adapters	
With shrink splice holder, E2000 compact adapter MM beige	EC03.101010.512-V2
With shrink splice holder, E2000 compact adapter MM beige + pigtail E2000 compact G50/125, OM2, 1m	EC03.101010.513-V2
With crimp splice holder, E2000 compact adapter MM beige	EC03.101010.514-V2
With crimp splice holder, E2000 compact adapter MM beige + pigtail E2000 compact G50/125, OM2, 1m	EC03.101010.515-V2
1G50 OM3 - Front plate with 6xE2000 compact adapters	
With shrink splice holder, E2000 compact adapter MM aqua	EC03.101010.516-V2
With shrink splice holder, E2000 compact adapter MM aqua + pigtail E2000 compact G50/125, OM3, 1m	EC03.101010.517-V2
With crimp splice holder, E2000 compact adapter MM aqua	EC03.101010.518-V2
With crimp splice holder, E2000 compact adapter MM aqua + pigtail E2000 compact G50/125, OM3, 1m	EC03.101010.519-V2
1G50 OM4 - Front plate with 6xE2000 compact adapters	
With shrink splice holder, E2000 compact adapter MM heather violet	EC03.101010.520-V2
With shrink splice holder, E2000 compact adapter MM heather violet + pigtail E2000 compact G50/125, OM4, 1m	EC03.101010.521-V2
With crimp splice holder, E2000 compact adapter MM heather violet	EC03.101010.522-V2
With crimp splice holder, E2000 compact adapter MM heather violet + pigtail E2000 compact G50/125, OM4, 1m	EC03.101010.523-V2
1G62,5 OM1 - Front plate with 6xE2000 compact adapters	
With shrink splice holder, E2000 compact adapter MM beige	EC03.101010.524-V2
With shrink splice holder, E2000 compact adapter MM beige + pigtail E2000 compact G62,5/125, OM1, 1m	EC03.101010.525-V2
With crimp splice holder, E2000 compact adapter MM beige	EC03.101010.526-V2
With crimp splice holder, E2000 compact adapter MM beige + pigtail E2000 compact G62,5/125, OM1, 1m	EC03.101010.527-V2