

Multi Tube Cable Divider

Field of Application

The Multi Tube Cable Divider is used to divide each core of a multi core cable into separate protection tubes. Originally designed as Cable Divider for the FODIS compact system by euroclust, it can actually be used for any patching system requiring a separate cable outlet for each loose tube of tight buffered fiber

Features

- Robust steel housing
- Easy installation
- Cable entry with or without cable gland
- Strength member anchoring point
- Integrated 2xM6 nuts
- Output capacity: 8 to 72 protection tubes



Product description

Multi Tube Cable Divider

The Multi Tube Cable Divider is designed for indoor use. It is made of powder coated steel and consists of a body, a protection tube fixation element, a cable entry hole for PG cable glands and a cover. Assembly is done with screws. A cable strength member clamp allows you to fix both, a strain relief element (e.g. Aramid yarn) and a central strength member (if integrated) of the incoming fiber cable. The incoming fiber cable can be fixed with a cable gland or simply with cable ties. The Multi Tube Cable Divider disposes of two integrated M6 fixation nuts for mounting the Multi Tube Divider into a rack. Different types of Multi Tube Cable Dividers are available, starting from a minimum output of 8 protection tubes up to a maximum output of 72 protection tubes and a range of cable glands from PG13.5 to PG72.

Technical specifications

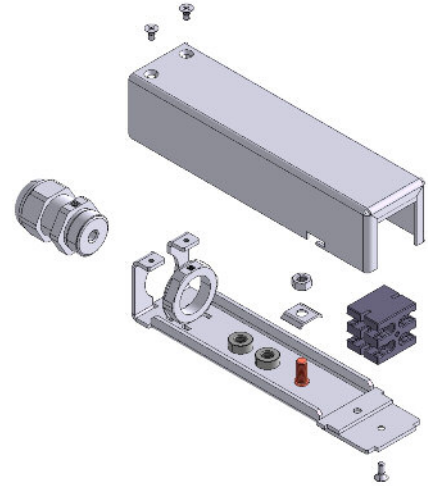
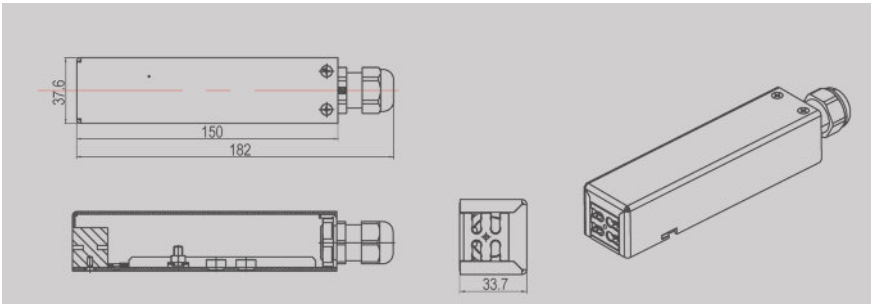
Material	Powder coated steel
Color	Black (RAL 9005)
Flammability	UL 94V-0



1 to 8 divider with PG13.5 cable gland

Multi Tube Cable Divider 1/8-13

The Multitube Cable Divider 1/8-13 is a small and compact cable divider for fiber optic cables. It accommodates one PG13.5 cable gland for the incoming multi tube fiber cable. One protection tube fixing element is used to attach the fiber protection tubes for the outgoing cables. The maximum capacity of the 1 to 8 divider are 8 outgoing fiber protection tubes.



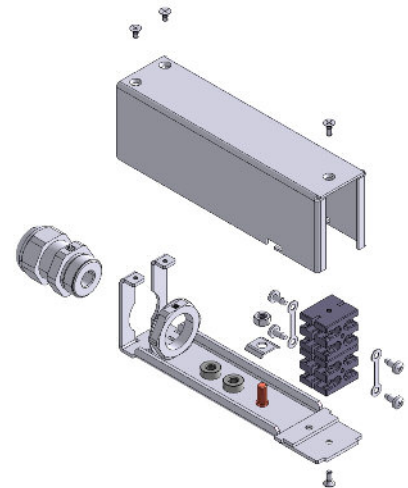
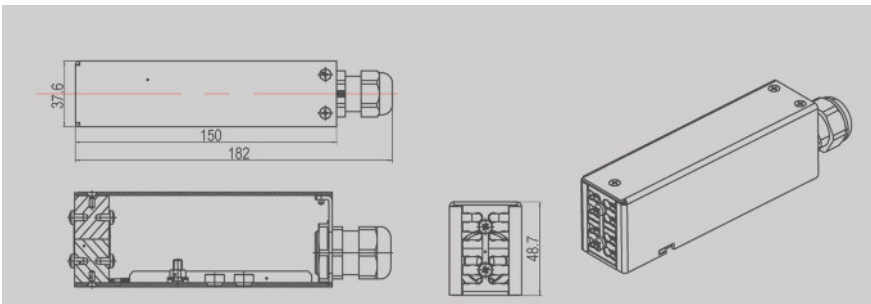
Technical specifications

Cable entry	PG13.5 cable gland (ø 6.5mm - ø 12.0mm)
No. of outgoing tubes	8
Dimensions	38 x 34 x 150 mm / 38 x 34 x 182 mm (W x H x L)
Weight	0.34 kgs (with cable gland)

1 to 16 divider with PG16 cable gland

Multi Tube Cable Divider 1/16-16

The Multitube Cable Divider 1/16-16 is a small and compact cable divider for fiber optic cables. It accommodates one PG16 cable gland for the incoming multi tube fiber cable. Two protection tube fixing elements are used to attach the fiber protection tubes for the outgoing cables. The maximum capacity of the 1 to 16 divider are 16 outgoing fiber protection tubes.



Technical specifications

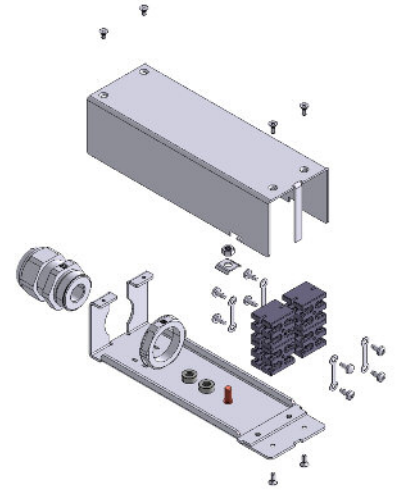
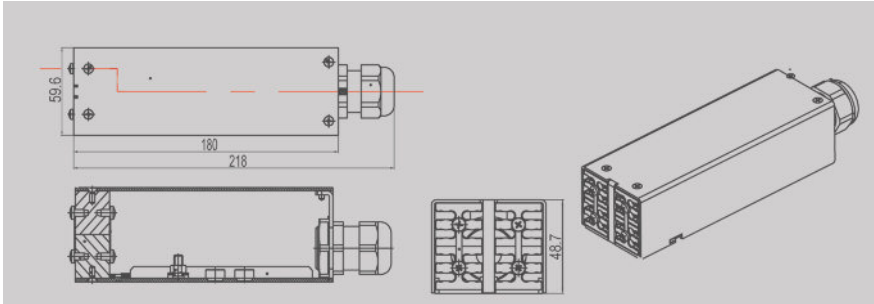
Cable entry	PG16 cable gland (ø 9.0mm - ø 14.0mm)
No. of outgoing tubes	16
Dimensions	38 x 49 x 150 mm / 38 x 49 x 184 mm (W x H x L)
Weight	0.40 kgs (with cable gland)

Multi Tube Cable Divider

1 to 32 divider with PG21 cable gland

Multi Tube Cable Divider 1/32-21

The Multitube Cable Divider 1/32-21 is a compact cable divider for fiber optic cables. It accommodates one PG21 cable gland for the incoming multi tube fiber cable. Four protection tube fixing elements (two of each are fixed one above in two columns) are used to attach the fiber protection tubes for the outgoing cables. The maximum capacity of the 1 to 32 divider is 32 outgoing fiber protection tubes.



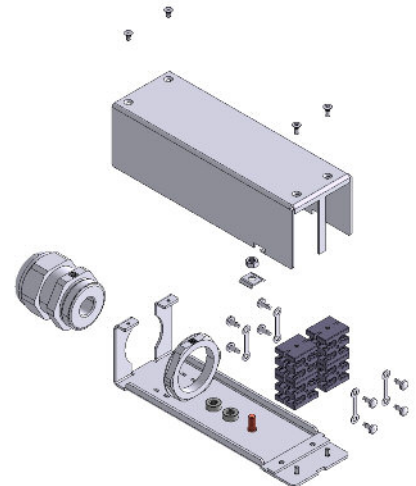
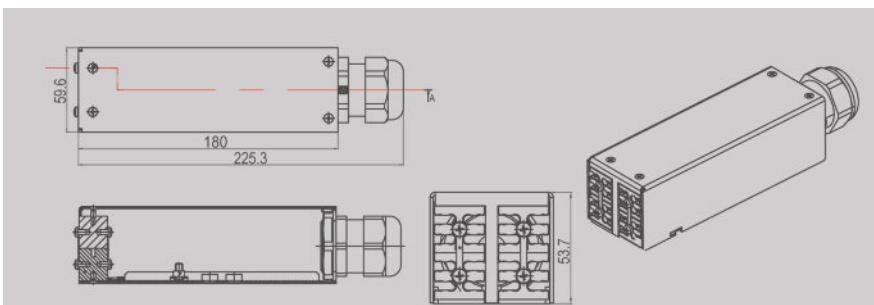
Technical specifications

Cable entry	PG21 cable gland (ø 13.0mm - ø 18.0mm)
No. of outgoing tubes	32
Dimensions	60 x 49 x 180 mm / 60 x 49 x 218 mm (W x H x L)
Weight	0.60 kgs

1 to 32 divider with PG29 cable gland

Multi Tube Cable Divider 1/32-29

The Multitube Cable Divider 1/32-29 is a compact cable divider for fiber optic cables. It accommodates one PG29 cable gland for the incoming multi tube fiber cable. Four protection tube fixing elements (two of each are fixed one above in two columns) are used to attach the fiber protection tubes for the outgoing cables. The maximum capacity of the 1 to 32 divider is 32 outgoing fiber protection tubes.



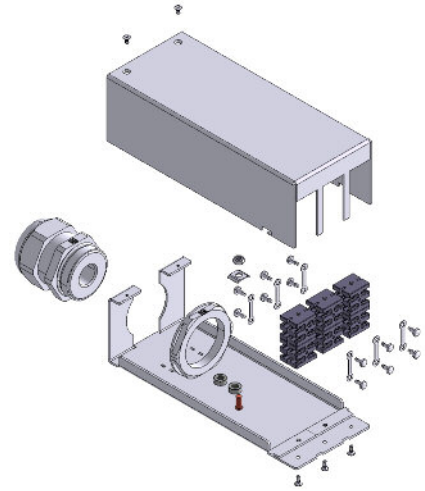
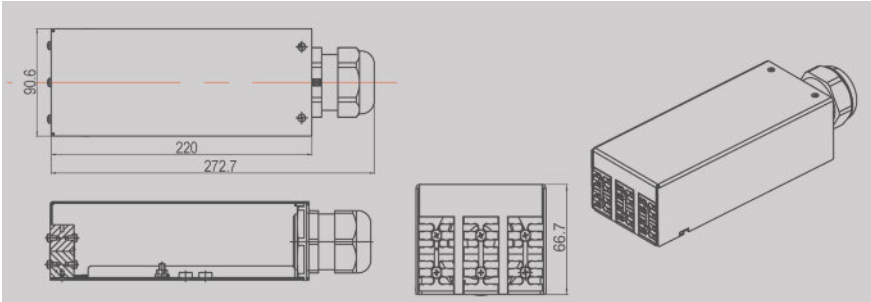
Technical specifications

Cable entry	PG29 cable gland (ø 14.0mm - ø 25.0mm)
No. of outgoing tubes	32
Dimensions	60 x 54 x 180 mm / 60 x 54 x 225 mm (W x H x L)
Weight	0.66 kgs

1 to 48 divider with PG36 cable gland

Multi Tube Cable Divider 1/48-36

The Multitube Cable Divider 1/48-36 is a high capacity cable divider for fiber optic cables. It accommodates one PG36 cable gland for the incoming multi tube fiber cable. Six protection tube fixing elements (two of each are fixed one above in three columns) are used to attach the fiber protection tubes for the outgoing cables. The maximum capacity of the 1 to 48 divider is 48 outgoing fiber protection tubes.



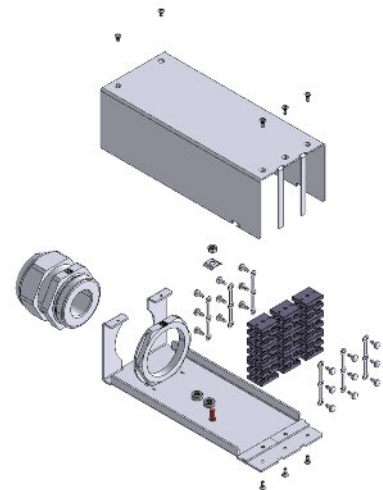
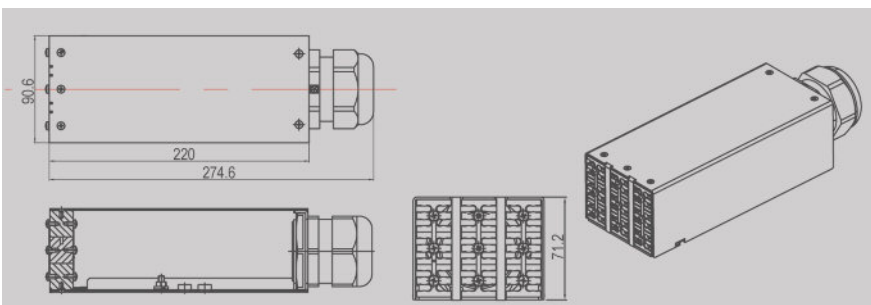
Technical specifications

Cable entry	PG36 cable gland (ø 24mm - ø 32.0mm)
No. of outgoing tubes	48
Dimensions	91 x 67 x 220 mm / 91 x 67 x 273 mm (W x H x L)
Weight	1.35 kgs (with cable gland)

1 to 72 divider with PG42 cable gland

Multi Tube Cable Divider 1/72-42

The Multitube Cable Divider 1/72-42 is a high capacity cable divider for fiber optic cables. It accommodates one PG42 cable gland for the incoming multi tube fiber cable. Nine protection tube fixing elements (three of each are fixed one above in three columns) are used to attach the fiber protection tubes for the outgoing cables. The maximum capacity of the 1 to 72 divider is 72 outgoing fiber protection tubes.

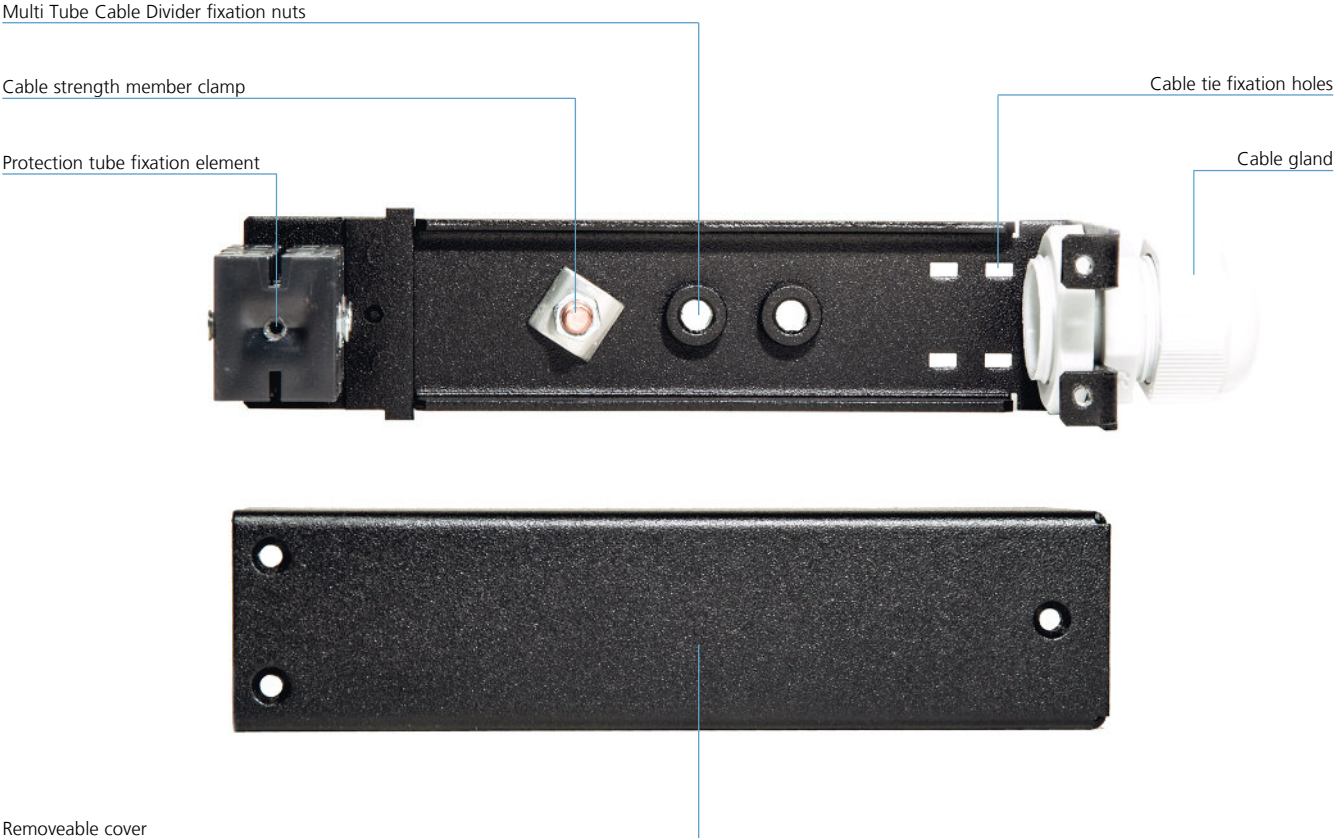


Technical specifications

Cable entry	PG42 cable gland (ø 32.0mm - ø 37.0mm)
No. of outgoing tubes	72
Dimensions	91 x 72 x 220 mm / 91 x 72 x 275 mm (W x H x L)
Weight	1.50 kgs

Multi Tube Cable Divider

Parts & components



S-EN-310-09/12-001

Fiber protection

Fiber protection tubes

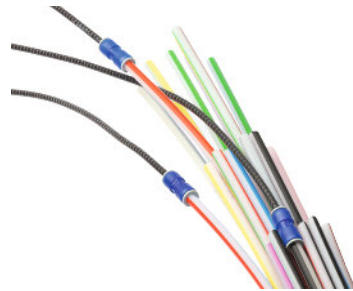
Fiber protection tubes are necessary to protect the loose tubes of an incoming cable after branching-off inside the Multi Tube Cable Divider. Two different types of protection tubes are available. euroclust offers these fiber protection tubes per meter.

High rigidity harness PBT tube

This kink-resistant tube-slit version ensures that a maximum bending radius of incoming cables as well as an easy installation procedure is maintained.

Microduct/Primary tube

The fibers can be inserted easily thanks to a sufficiently large inner diameter of the microduct protection tubes.



Technical specifications - High rigidity harness tube

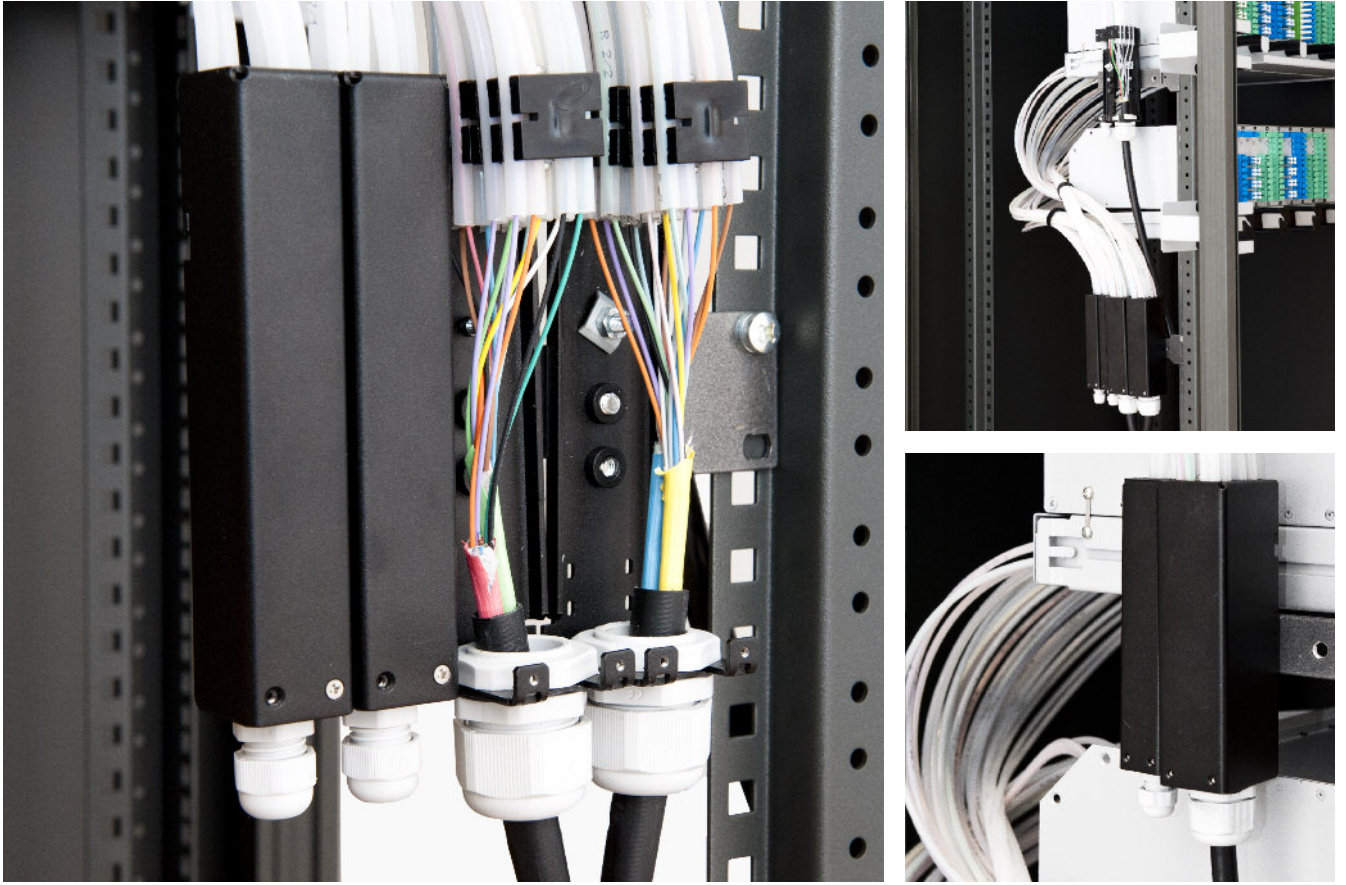
Color	Black
Material	polyethylene terephthalate (PBT)
Flammability	UL 94V-0
Inner diameter	3.3mm
Outer diameter	5.0mm

Technical specifications - Microduct

Color	White
Material	LSZH material
Flammability	UL 94V-0
Inner diameter	3.5mm
Outer diameter	5.0mm

Multi Tube Cable Divider

Installation examples



Packing Information

1 pc. of Multi Tube Cable Divider (MTCD) is backed in cardboard packing

Scope of Delivery

1pc	Multi Tube Cable Divider body with anchoring point and 2xM6 fixation nuts
1pc	Removable cover
1-9pcs.	Fiber protection tube fixation element
1set	Fixation material

Ordering Information

Multi Tube Cable Divider

Description	ec-Article Nr.:
Multi Tube Cable Divider 1/8-13 (1 to 8 divider for PG13.5 cable gland)	EC03.201010.101
Multi Tube Cable Divider 1/16-16 (1 to 16 divider for PG16 cable gland)	EC03.201010.102
Multi Tube Cable Divider 1/32-21 (1 to 32 divider for PG21 cable gland)	EC03.201010.103
Multi Tube Cable Divider 1/32-29 (1 to 32 divider for PG29 cable gland)	EC03.201010.104
Multi Tube Cable Divider 1/48-36 (1 to 48 divider for PG36 cable gland)	EC03.201010.105
Multi Tube Cable Divider 1/72-42 (1 to 72 divider for PG42 cable gland)	EC03.201010.106

Fiber Protection

High rigidity harness PBT tube, black (sold by meter)	EC03.101087.203
Microduct tube, white (sold by meter)	EC03.101087.251

